

# Sterile Visual Flow Indicator

## FDA Compliant & 3-A Approved

Data Sheet VB1.01

- For high purity applications
- Unique O-Ring Seal minimises bug traps
- Internal Flush style that is 3-A approved
- FDA compliant materials
- Suitable for SIP/CIP
- Sanitary Clamp, Orbital Weld or Swagelock TS Connections
- Armoured housing protects glass from external objects & pipe stress



### Benefits:

Visilume's Sterile Visual Flow Indicator offers easy cleaning, validation and sterilisation so it is ideal for biotech and pharmaceutical applications.

The unique o-ring sealing design offers the smoothest internal bore available with minimal bug traps.

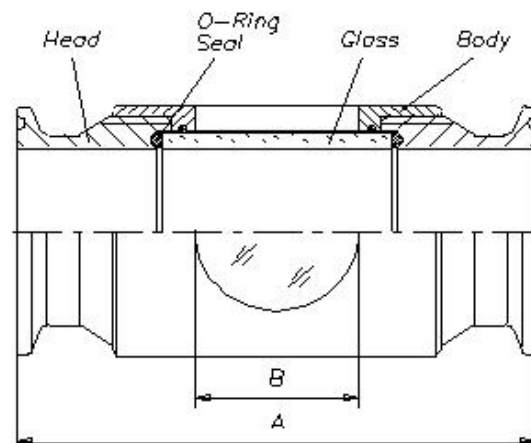
Polished stainless steel connections include sanitary clamps, orbital weld & Swagelock TS as standard

### Construction:

- Standard Product contact surface Ra<0.6µm electropolished. Ra<0.1µm available
- Borosilicate Glass
- Stainless Steel 316L housing & connections Hastelloy also available
- Standard seals are EPDM Silicone, Viton and FEP encapsulated silicone also available
- Sizes from 3/8" to 4"
- Custom designs & lengths available

### Operating Parameters:

- Pressure up to 10 Bar
- Temperatures up to 150°C



Tube OD	A (mm)	B (mm)
3/8"	72	20
1/2"	76	20
3/4"	87	30
1"	91	30
1-1/2"	105	32
2"	120	48
2-1/2"	105.6	55
3"	175	90
4"	200	110