

# METAGLAS®

## Sanitary MetaClamp & USL35 Luminaire (non Ex) Type 80.USL35

Data sheet VM9.02

### Application:

Powerful stainless steel Lumiglas USL-35 light with the proven MetaClamp® sanitary mounting system. This compact combination can be mounted directly to any vessel or pipeline and provides up to 100 watts of intense glare free illumination through a Metaglas safety glass lens.

### Advantages:

- Powerful illumination
- Minimal crevices for sanitary applications
- Suitable for food processing (3-A Standard)
- Dust and water jet resistant (IP65) even during external washdown
- Simple & fast installation with no risk of breakage
- Sight glass resistant to catastrophic failure
- Wide range of voltages available
- Lights are available with an optional push button momentary on/off switch.



Sanitary MetaClamp & USL35 Luminaire (non Ex)

### Operating Conditions:

Temperature: (With light) up to 90°C

Pressure: Up to 10 bar  
Higher pressures possible.

### Approvals and Technical Data:

#### MetaClamp™

Manufactured and tested in conformance with:

- Directive for pressure equipment 97/23/EG 02/98, Module H/H1 (DIN/EN/ISO 9001)
- AD Standards W0/TRD 100
- 3-A Standard for food processing
- Sight glass fused to metal conforming to DIN 7079
- Borosilicate glass to DIN 7080
- Materials to Vd TÜV specifications and the DIN/EN designated standards

### Material Certificates:

Certificate of Conformity to EN 10204-3.1B (or 3.1A at extra cost).

### Ring Materials:

Duplex Stainless Steel (1.4462)  
Hastelloy C-4 (2.4610)  
Hastelloy C-22 (2.4602)

### Light:

Supply Voltage:

V	W	Push Button
120V/12V	5W	without
230V/12V	5W	without
12V	20W	with or without
24V	20W	with or without
120V	20W	with or without
230V/12V	20W	with
12V	50W	with
24V	50W	with
120V	50W	with or without
120V	50W	with or without
24V	100W	with or without
120V	100W	with or without

Housing: Stainless steel 1.4301

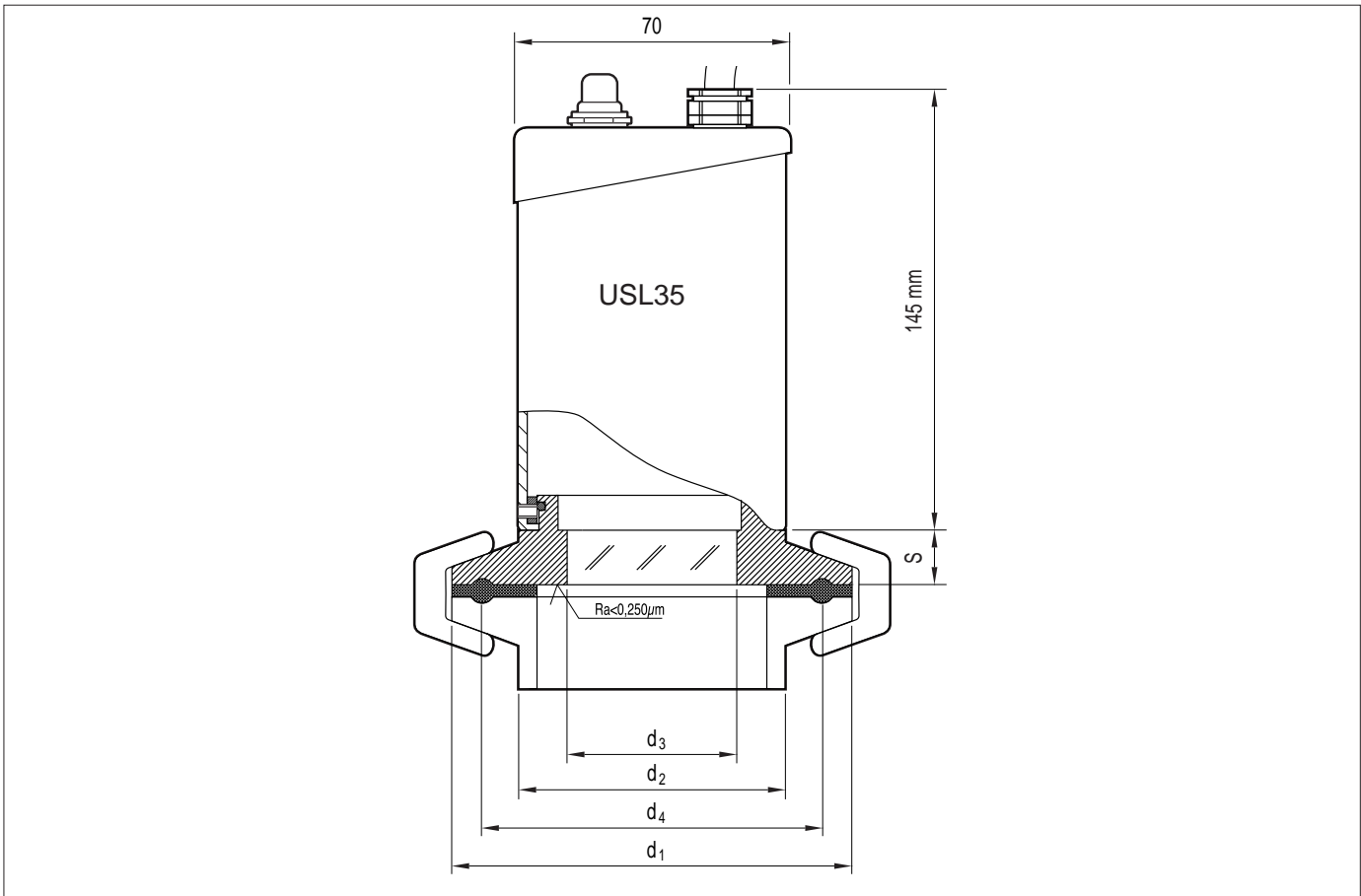
Power cable: 3m

Bulb life: 2000 hours

Dust and water-jet proof to IP65 & EN60 529/DIN VDE 0470 part 1.

## Sanitary MetaClamp & USL35 Luminaire (non Ex)

Type 80.USL35



Standard tube OD		d1	d2	d3	d4	S	Max. operating pressure (bar)
DN (mm)	DN (inch)						
65	3"	91	76	40	83.5	10	10
80	3 1/2"	106	90	50	97	10	10
100	4"	119	102	50	110	12	10
	6"	167	152	50	156.5	16	6

### Ordering Information

Please specify your selected items as follows:

Standard Tube OD (DN)

Pressure

Ring Material

Lamp supply voltage & output power

With or without push button

08/2001

All dimensions in mm unless otherwise stated  
Subject to change without notice